

Installation notes for the ATL ADSL FacePlate splitter.

Removal of Front Cover

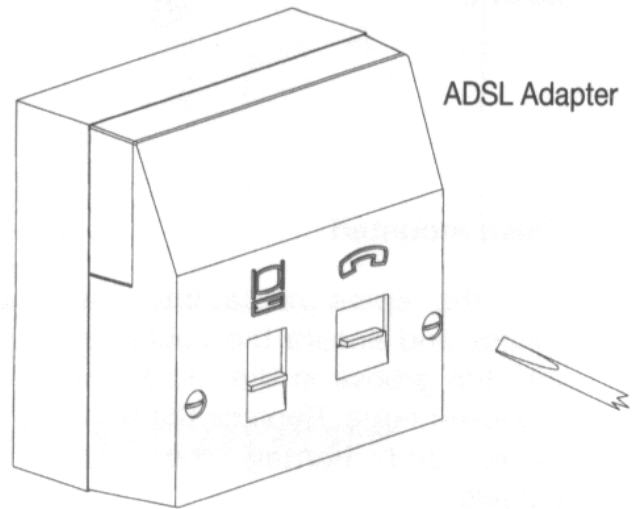
Please read all the instructions before you begin

You should carry out all the installation work on wiring and extension sockets before making the final connection to the Linebox.

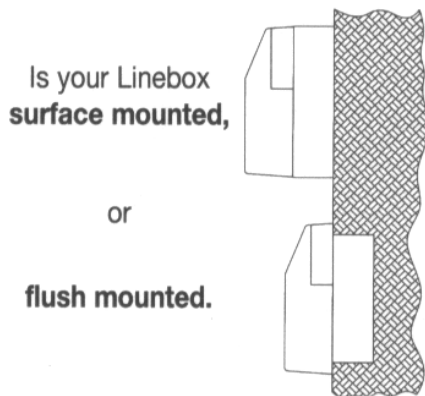
The instructions in this leaflet explain how to change your Linebox for an ADSL adapter and how to connect the wiring for your telephone voice extensions.

To install the ADSL adapter, loosen the two screws visible on the front of the Linebox (not shown) and remove the cover. If Extension wiring is already in place, the cable tie should be carefully cut and the existing wires cut as close to the connector as possible.

To add an extension to the ADSL adapter, remove the cover by loosening the two screws as shown. If extension wiring is already in place, carefully cut the cable tie in order to add the extra wire.



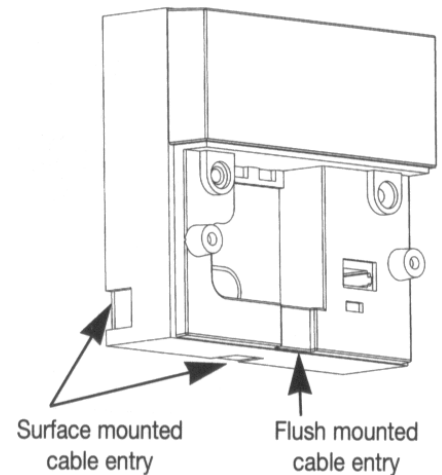
Cable Entry Points



Surface Mounted

If your Linebox is surface mounted, you can choose one of the two holes in the back box for the extension cable to feed through to the front cover. Do not use the other entry points.

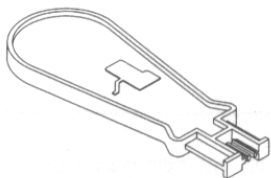
Apply pressure from the inside to remove the plastic plug covering the cable entry point. Feed enough cable through to enable the connections to be made easily.



Flush Mounted

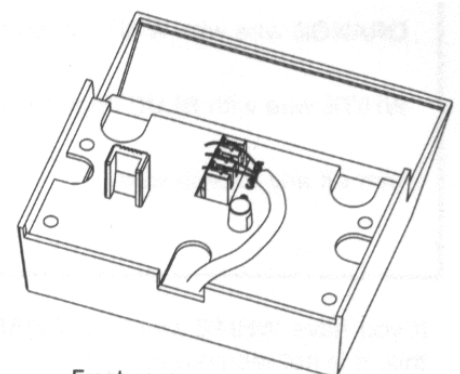
When the Linebox is flush mounted there is a groove in the centre of the lower edge to accommodate the cable when replacing the cover.

Making the Connections



Typical wiring tool

Separate the coloured wires. Use the special wiring tool to connect each of the wires (detailed below) to the correct female IDC connector on the back of the front cover, as shown (if you don't have an IDC wiring tool then a thin bladed screwdriver can be used, with care, to push the wires securely into the female IDC connectors). Hold the tool upright,



directly above the connector. Press down firmly – this will make the Connection.

Connect the wires as follows:

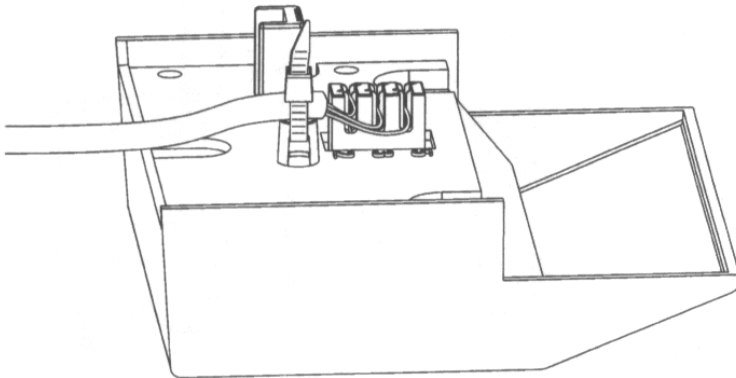
BLUE wire with WHITE rings to connector number 2
ORANGE wire with WHITE rings to connector number 3
WHITE wire with BLUE rings to connector number 5

Trim off any excess wire

If you have WHITE wire with ORANGE rings, do not connect this. It is not required for operation of your telephone.

Securing the Cable

Secure the cable to the post in the centre of the ADSL cover by using the cable tie provided. You may need a new cable tie if you are adding another extension. Loop it round the cable and post and tighten. Hold the tail of the cable tie and cut off the excess. Ensure the cable tie buckle is on the top.



Replacing the Cover

Surface Mounted

Coil the spare cable into the recess before replacing the front cover. Then carefully replace the front cover and tighten the two screws.

Flush Mounted

Coil the spare cable into the recess and ensure the cable fits into the groove in the middle of the lower edge. Replace the front cover and tighten the two screws.

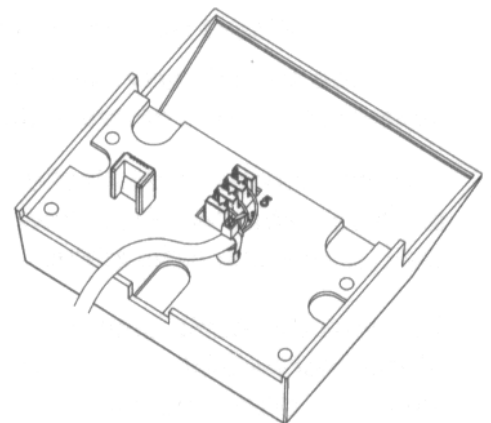
Faults

First make sure your telephone is not faulty. Remove the ADSL adapter from the back box, this disconnects your wiring from the telephone line.

Plug your telephone into the test socket located in the base plate and make a call. If you are able to make a call, then the fault lies in your wiring. Thoroughly check your wiring and do not reconnect the adapter until any fault is corrected.

If you are not able to make a call you should report the fault to your telecommunications provider in the normal way.

If an engineer pays a visit to correct a fault found in your wiring, you may be charged.



Note the position of the cable

